

XM210

Fingerprint Time Attendance & Access Control Terminal



XM210 is a 3-inch TFT screen Attendance and Access Control Terminal. Adopting the new user-friendly firmware and latest coreboard improves performance, accelerates identification, speed and has more expandability for various customization requirements. What's more the user-friendly interface brings you a new user experience. With built-in 2000mAh backup battery, it can eliminate the trouble of power failure.

RS232/485, TCP/IP, USB-host and optional Wi-Fi and GPRS ensure a smooth data transmission between device and PC. XM210 has an access control interface for weigand-in, weigand-out, door lock, alarm, and bell.

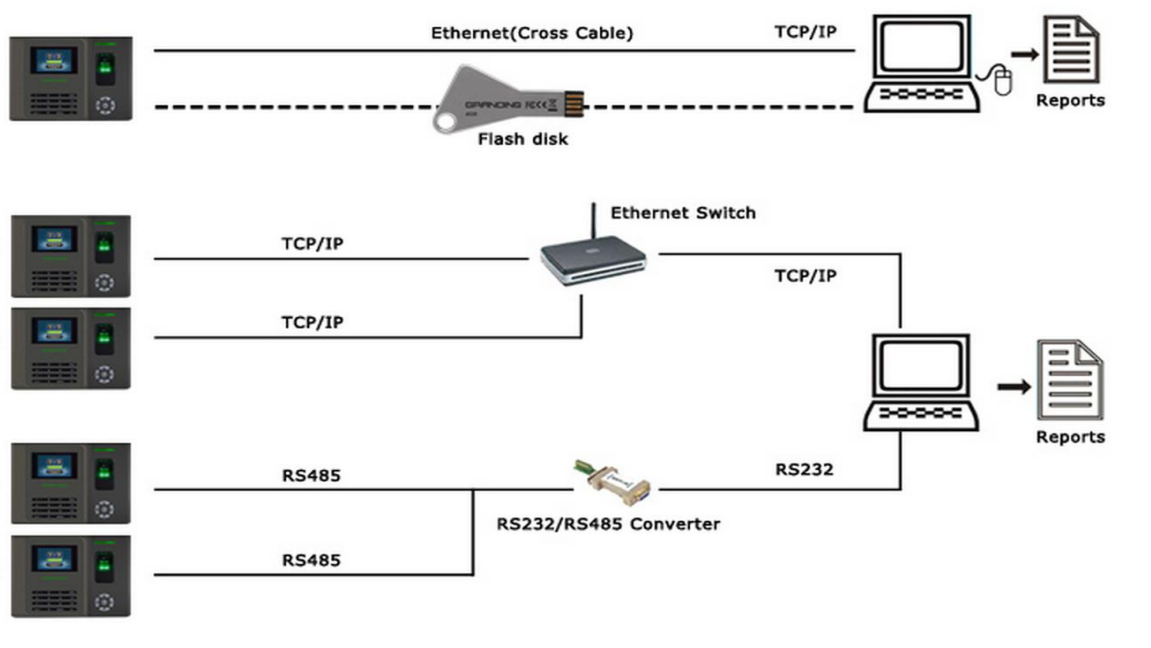
Features

- With new firmware, new high-speed CPU and latest fingerprint algorithm
- High-quality hardware parts make device's stability extraordinary
- Similar android/iOS interface brings more friendly operation feeling and user can define the shortcut keys easily
- Software and SDK are compatible with the old device
- Data can be encrypted in the device
- Communication support RS232/485, TCP/IP, USB client/host
- User hole management, fingerprint expired date setting, shortcut key setting
- Fingerprint image display, Main screen picture change
- Back up battery for power off
- Multi-languages

Specifications

Fingerprint Capacity	3,000
Transaction Capacity	100,000
Communication	TCP/IP, USB host/client,RS232/485
Display	3-inch TFT Screen
Attendance Status	Check in, Check out, Break in, Break out, Overtime in, Over time out
Hardware platform	ZMM220
Standard Functions	Workcode,SMS, Automatic Status Switch, Self-Service Query, T9 input, 9 Digits User ID, DLST, Schedule Bell,Photo ID, Back up battery
Optional Functions	ID/Mifare Card, External Printer and Bell, Webserver, ADMS, WIFI, GPRS
Power Supply	110-240VAC-12VDC 1.5A, Li-battery 7.4V 2000mAh
Operating Temperature	0°C ~ 45°C
Operating Humidity	20% ~ 80%
Dimension(L×W×H)	210mm×157mm×50mm
Gross Weight	1.5Kg

Configuration



XIMITECH

XIMITECH,F1004, Tiongong Security
 Minzhi Street,Longhua District
 Shenzhen,Guangdong,China
 Tel:86 755 61902989
 Email:sales@ximitechnology.com
 Skype: vicky.wen111
 Web: www.ximitechnology.com
 www.ximitech.en.alibaba.com

© Copyright 2016. XIMITech Inc. XIMITeco Logo is a registered trademark of XIMITeco or a related company. All other product and company names mentioned are used for identification purposes only and may be the trademarks of their respective owners. All specifications are subject to change without notice. All rights reserved

