

PROXIMITY CARD TIME ATTENDANCE SYSTEM



3" TFT high-definition graphical interface



**Built-in GPRS
(optional)**



**Built-in Wi-Fi
function (optional)**

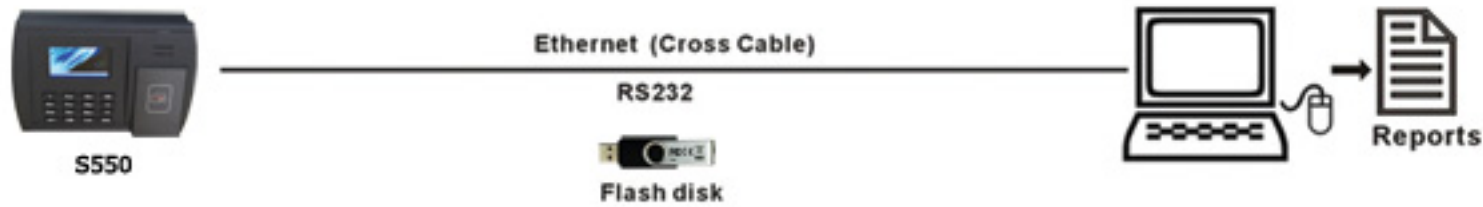


- Composite algorithm system with high speed operating.
- Embedded LINUX system, easy to integrate into various system.
- Standalone or network environment. 24 hours continuous operation available.
- Saves data during power outage.
- Support 125KHz proximity card.
- Optional integrated smart card reader.

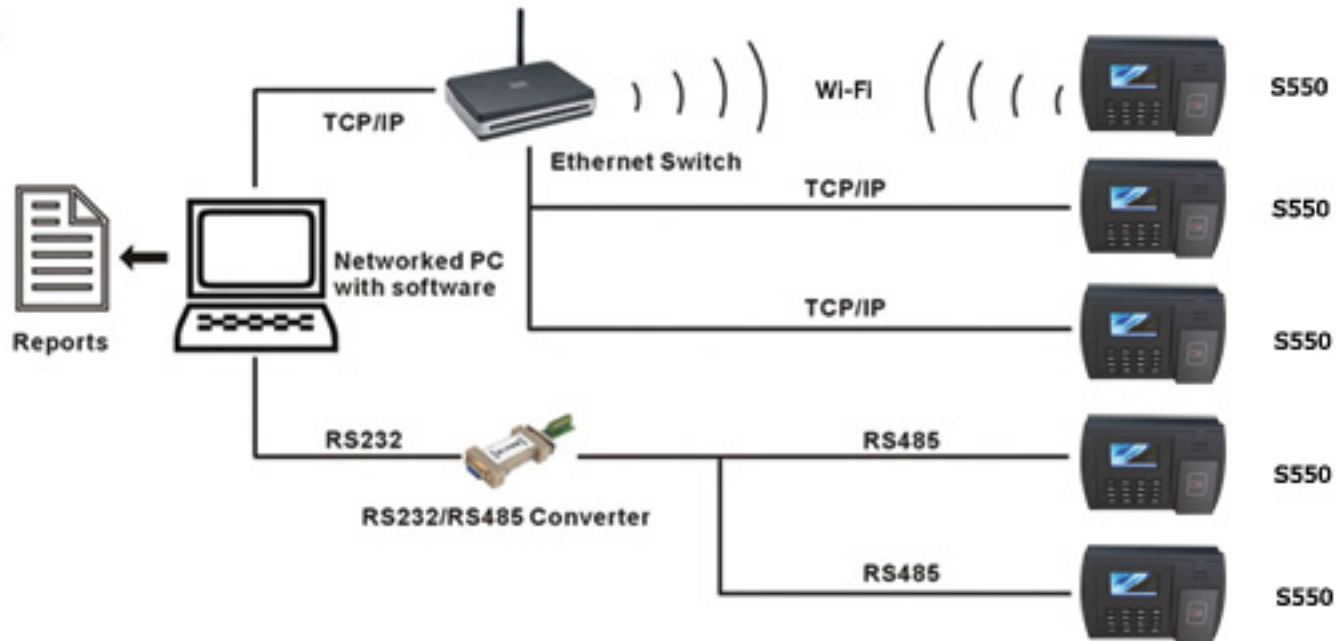
S550

SKETCH DIAGRAM

Standalone



Network



SPECIFICATION

S550

LCD Display

3" TFT high-definition graphical interface

Speaker

Voice prompt (language can be selected)

Capacity

Cards: 30,000 Logs: 100,000

Verification

Verification speed (1:1) \leq 0.5s

Identification speed (1:1) \leq 1s

Attendance status

Check in/out; Break in/out; OT in/out

Communications

TCP/IP, RS232/485, USB Host/Client

Customize Function

Mifare card reader; HID card reader; Wi-Fi module;
GPRS module; Printer output; External bell connection

Language

Multi language, English, French, Spanish, Arabic, Turkish, Portuguese, Czech, Hebrew, Slavic, Vietnamese etc., for more than 40 languages can be selected

Environment

Operation temperature: 0°C-45°C Operation humidity: 20%-80%

Power Supply

110/220 VAC - 12VDC/1.5A

Package info.

Machine size: 21(L)*15.7(W)*5(H)cm Unit packing: 28*23*10cm
Carton packing: 50*30*30cm Real weight: 1.2kg Volume weight: 1.5kg

Function support

Scheduled bell; T9 input; Workcode; SMS; Webserver; Auto status;
DST; 9-PIN ID; Photo-ID